



Floor mount tub filler coaxial
thermostatic pressure balance with hand
shower

SA37XX



Specifications

Descriptions

- ½" male inlet NPT
- Coaxial thermostatic/pressure balanced cartridge with check valves
- Double check valve
- 1 jet hand shower
- 2 part: rough and trim
- Integrated volume control

Available colors

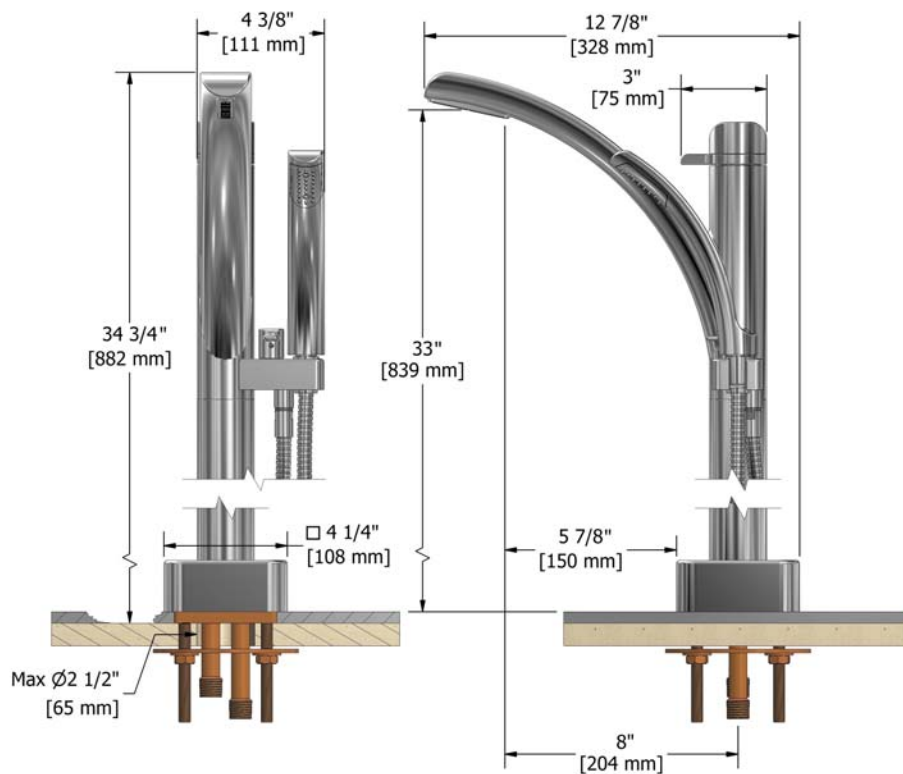
- C : Chrome
- PN : Polished nickel (PVD)

Flows

- Flow 41 L/min, 10.8 gpm (US) 60psi

Certifications

- CSA B125.1
- ASME A112.18.1



Sizes, models and finishes may differ from those presented.

Warranty

The Riobel inc. product carries a limited LIFETIME warranty on the finish Chrome, Gold (PVD), Brushed nickel (PVD), Night brushed (PVD), Polished nickel (PVD) and all working parts and is guaranteed from the initial date of purchase against all manufacturing defects. Other finished 1 year.

Customer service

Ontario, West Canada : 888-287-5354 Quebec, Maritimes, United States : 866-473-8442