

**Muse iWash**  
**Integrated Bidet Toilet, CEL**  
**C-20 bowl, S-20 bidet seat**

**Bowl Features**

- Vitreous china toilet bowl
- Chair-height (16-1/2"), compact-elongated bowl
- MicroGlaze™ anti-microbial, stain-resistant glaze
- 12" (305mm) rough-in

**Siphon Flushing System**

- High-performance, siphon jet flush
- 1.28 gallons (4.8 liters) per flush - High-efficiency toilet (HET)
- Fully glazed, 2-1/8" internal trapway
- Large 9" x 7" water surface area
- Automated or manual flush activation
- Bowl-cleaning pre-mist

**Bidet Features**

- Instant water heating system (unlimited warm water)
- Self-cleaning, antimicrobial stainless steel adjustable nozzle
- Silent close lid
- Rear, front and oscillating spray options
- Adjustable water temperature and pressure
- Warm air drier with adjustable temperature
- Built-in deodorizer
- Heated seat with adjustable temperature
- LED in-bowl nightlight
- Power-saving modes
- Save up to two user settings

**Parts Included**

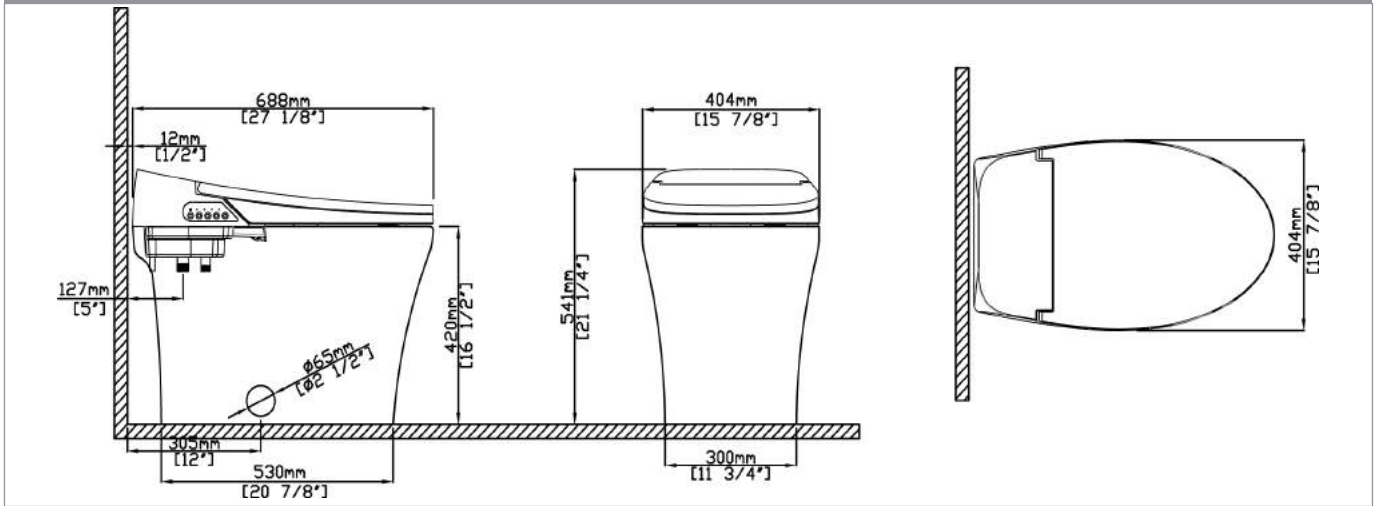
- MC-300.01: Bolt alcove cover tiles (set of 2)
- TV-1700: Water filter & brass adapter
- T-1700: 3/4" Transfer hose
- W-1700: 1/2" Supply line
- H-BS30: Bowl jet supply line (pre-installed)
- H-BS12: Rim jet supply line (pre-installed)
- SB-T20.01: Top-side seat anchors and screws
- SB-R20.01: Rear mounting bolt and nut
- S-20RF: Remote control & wall-mount
- AAA battery x3

**Quality Assurance**

- Factory flush-tested
- Limited lifetime product warranty on ceramic bowl
- Three year limited product warranty on bidet seat



Dimensional Diagram



**IMPORTANT:** Dimensions are nominal and may vary within the range of tolerance per NSI Standard A112.19.2. These measurements are subject to change. No responsibility is assumed for use of superseded or voided pages.

<b>Power Supply</b>		120V, 60Hz	<b>Heated Seat</b>	<b>Seat Temperature</b>	95°F (35°C) 100.4°F (38°C) 104°F (40°C)
<b>Max Power Consumption</b>		1460W		<b>Seat Heater Capacity</b>	55W
<b>Power Cord Length</b>		3.9 ft (1.2 m)		<b>Safety Device</b>	Thermal Fuse
<b>Water Supply Connection</b>		Direct to water supply	<b>Dryer</b>	<b>Temperature Adjustment</b>	5 Levels
<b>Water Supply Pressure</b>		22 - 99PSI		<b>Heater Capacity</b>	164W
<b>Spray Settings</b>	<b>Water Flow Rate</b>	.65L/min		<b>Safety Device</b>	Thermal Fuse Bi-metal
	<b>Water Pressure</b>	5 Levels	<b>Ambient Temperature Range</b> 37.4° - 104°F (3° - 40°C)		
	<b>Water Temperature</b>	93.2°F (34°C) 98.6°F (37°C) 104°F (40°C)	<b>Water Supply Temperature Range</b> 37.4° - 95°F (3° - 35°C)		
	<b>Water Heater Capacity</b>	1400W	<b>Deodorizer</b> Catalytic Deodorization		
	<b>Safety Device</b>	Thermal Fuse Thermostat	<b>Seat top dimensions</b> 15.9" x 26.9" x 5" (405mm x 685mm x 128mm)		
			<b>Seat top weight</b> 2.2lbs (6.3kg)		

Compliance Certifications

• UL/cUL



Meets the Americans With Disabilities Act (ADA) guidelines and ANSI A117.1 requirements for accessible building facilities. Check local codes.